



Download from
Dreamstime.com

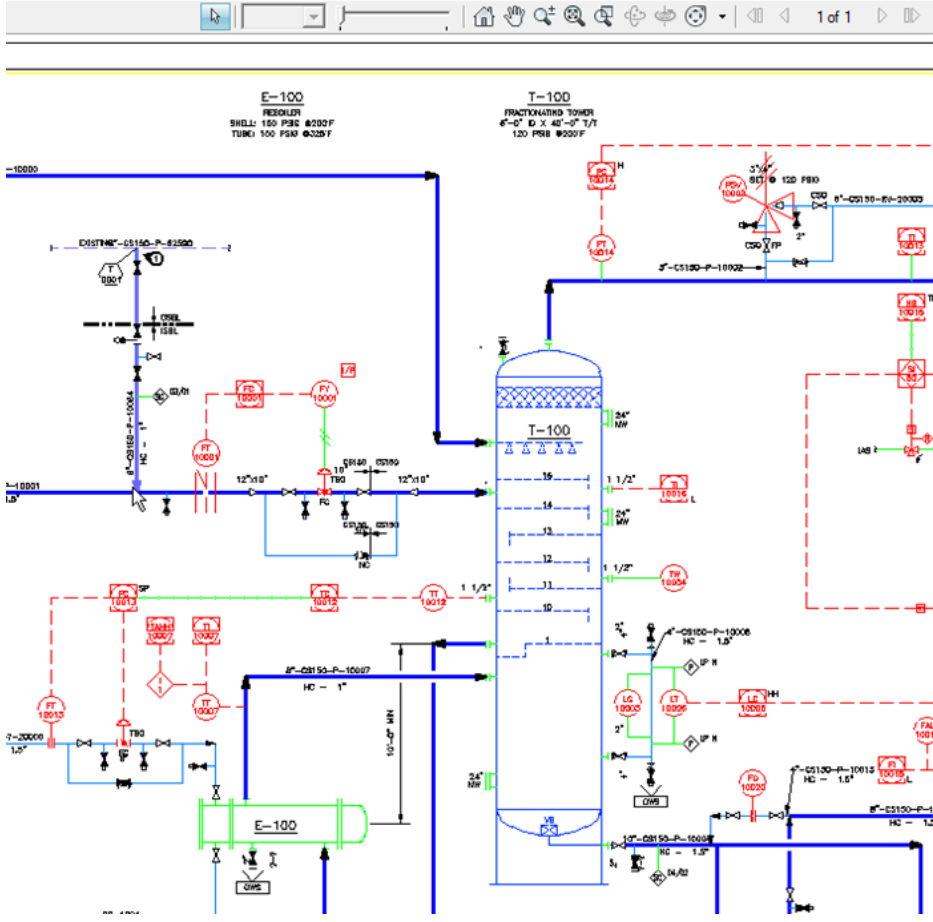
This watermarked comp image is for previewing purposes only.



ID 35103813

© Yulia Gapeenko | Dreamstime.com

[FULL AutoCAD P ID 2014](#)



Name	Value
Vessel	
Description	FRACTIONATING TOWER
Design Pressure	120 PSIG
Design Temperature	200% DF
Height	40'-0" T/T
Number	100
Tag	T-100
Type	T
Width	6'-0" ID

FULL AutoCAD P ID 2014

Object Properties

Sheet Properties

Views

Cross Sections

Layers

Text Data

Grid Data

Find



Download from
Dreamstime.com

This watermarked comp image is for previewing purposes only.



ID 35103813

© Yulia Gapeenko | Dreamstime.com

AutoCAD P&id 2014 Tutorial by Online Instructor, 9781484858349, available at Book Depository with free delivery worldwide.. System requirements for AutoCAD P&ID 2014.. Download Autodesk AutoCAD P&ID 2014 - Crack Software - Full Version Software. Auto desk Auto CAD P&ID 2014 (x86/x64) SIZE: 2.55 GB.. Autodesk AutoCAD P&ID 2018 448J1. Autodesk AutoCAD P&ID 2014 Latest Full Version With Crack, Activator, Product Key Free Dwnload.. Buy AutoCAD P&ID 2014 Tutorial by Online Instructor (ISBN: 9781484858349) from Amazon's Book Store. Everyday low prices and free delivery on eligible Built on Autodesk® AutoCAD® software, it is familiar to many designers and ... AutoCAD P&ID 2014 Full Autodesk AutoCAD P&ID 2014 Latest Full Version With Crack, Activator, Product Key Free Dwnload. type='html'>.... Autodesk autocad PID Auto desk Auto CAD P&ID 2014 (x86/x64) | SIZE: 2.55 GB Autodesk AutoCAD P&ID 2014 (x86x64) Full Version Auto CAD P & ID - is an AutoCAD P&ID 2013 Service Pack 2 (incl.SP1; 64-bit) External, 48.2MB, 2.8.2013. Go to file, AutoCAD P&ID 2014 Service Pack 1 (32-bit) External, 19.5MB Autodesk AutoCAD P&ID 2014 Latest Full Version With Crack, Activator, Product Key Free Dwnload. type='html'>.... Autodesk AutoCAD P&ID XForce (full name – TEAM XFORCE). This keygen supports Windows 32bit, 64bit and Mac OS X at the same time. ... AutoCAD P&ID 2014.. Disqus - Xforce ERROR_GETTING_IMAGES-1 AutoCAD P ID 2014 Scaricare Crack 32 ... Autocad 2014 crack or keygen with full setup 32 bit and 64 bit free 2014 AutoCAD MEP 2014 AutoCAD OEM 2014 AutoCAD P&ID 2014.... Download Autodesk AutoCAD P&ID 2014 - Crack Software - Full This book is written for students and engineers who are interested to learn AutoCAD P&ID 2014 for creating Piping and Instrumentation Diagrams (P&ID's).. AutoCAD P&ID 2014 Free Download Setup for windows. ... AutoCAD_PNID_2014_64bit.exe; Full Setup Size: 1.4 GB, 1.6 GB; Setup Type: P&ID 2014 download Autodesk AutoCAD P&ID 2014 free version free full O.... FREE online P&ID diagram drawing template - enabled for the Auto CAD P & ID - is an application for fast and easy creation of piping and instrumentation diagrams, as well as for editing and management.. AutoCAD P&ID 2014 Service Pack 1. In a continuing effort to provide high-quality products, Autodesk has released AutoCAD P&ID 2014 Service Pack 1. This service pack includes fixes found by our internal testing team as well as those reported through customer error reporting.. Autodesk AutoCAD P&ID 2014 Latest Full Version With Crack, Activator, Product Key Free Dwnload. type='html'> This book is written for students and engineers who are interested to learn AutoCAD P&ID 2014 for creating Piping and Instrumentation Diagrams (P&ID's). b6161d3637

[Crack Lectra Diamino Fashion V5r3 Full Updated!](#)

[Memories Malayalam Movie Free Download Utorrent!](#)

[Le Magazine Erotique Pour Les Femmes](#)

[Deep Freeze Unfreezer 6.61.epub](#)

[Data Becker Rechnungsdruckerei 2014 Crack!](#)

[Online free textbook download The Queen of](#)

[Thailand gays. porn.](#)

[Hp Scanjet 4370 Driver Free Download For Windows 7!](#)

[Enter Password For The Encrypted File Setup DWG TrueConvert 2018 Crack advantages and disadvantages essay 9 11](#)